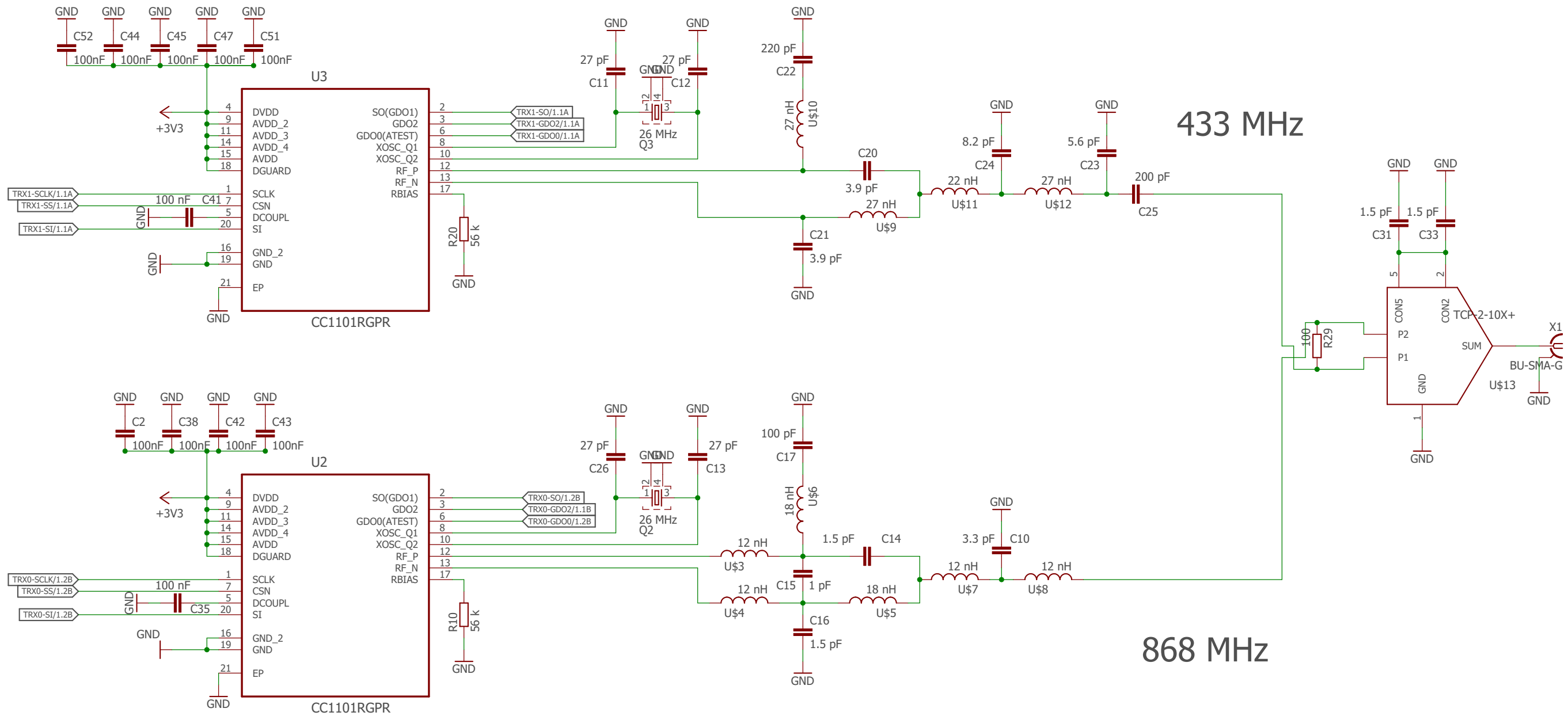


Raspberry

MCU	
TITLE: FunkPi	
Document Number:	REV: 1.1
Date: 14.02.2017 16:39	Sheet: 1/6

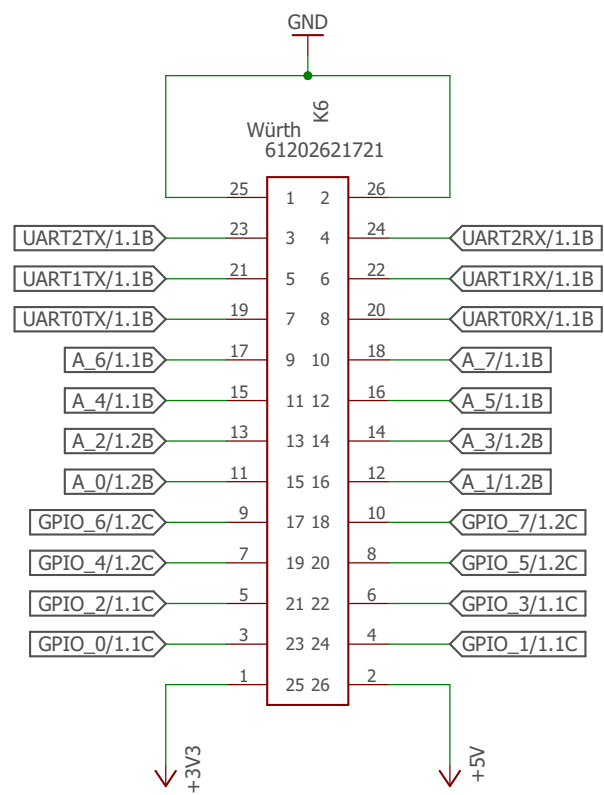


433 MHz

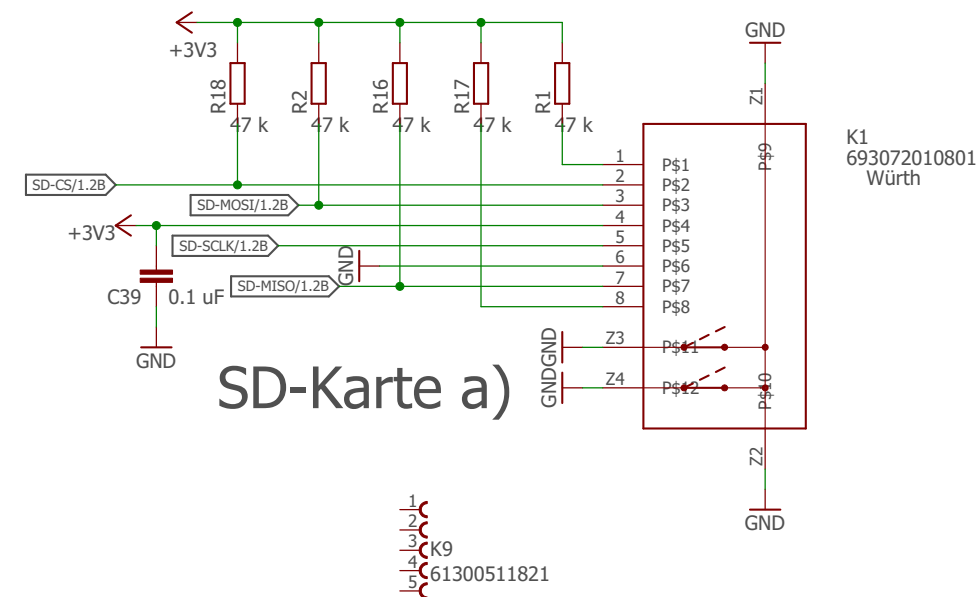
868 MHz

CC1101

TITLE: FunkPi	
Document Number:	REV: 1.1
Date: 14.02.2017 16:39	Sheet: 2/6

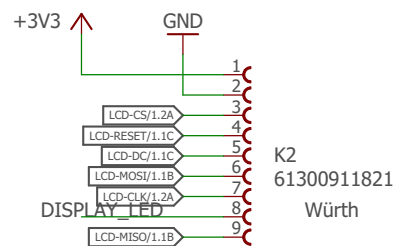


Analogs & GPIOs

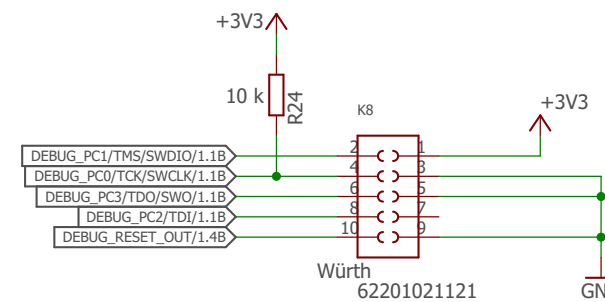


SD-Karte a)

SD-Karte b)



LCD



JTAG

IO

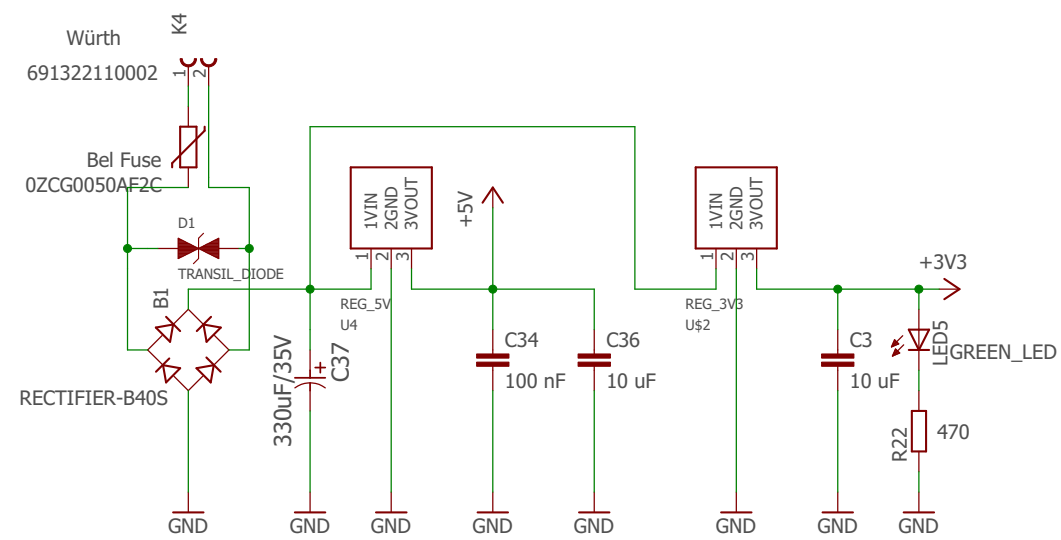
TITLE: FunkPi

Document Number:

REV:
1.1

Date: 14.02.2017 16:39

Sheet: 3/6



Power Supply

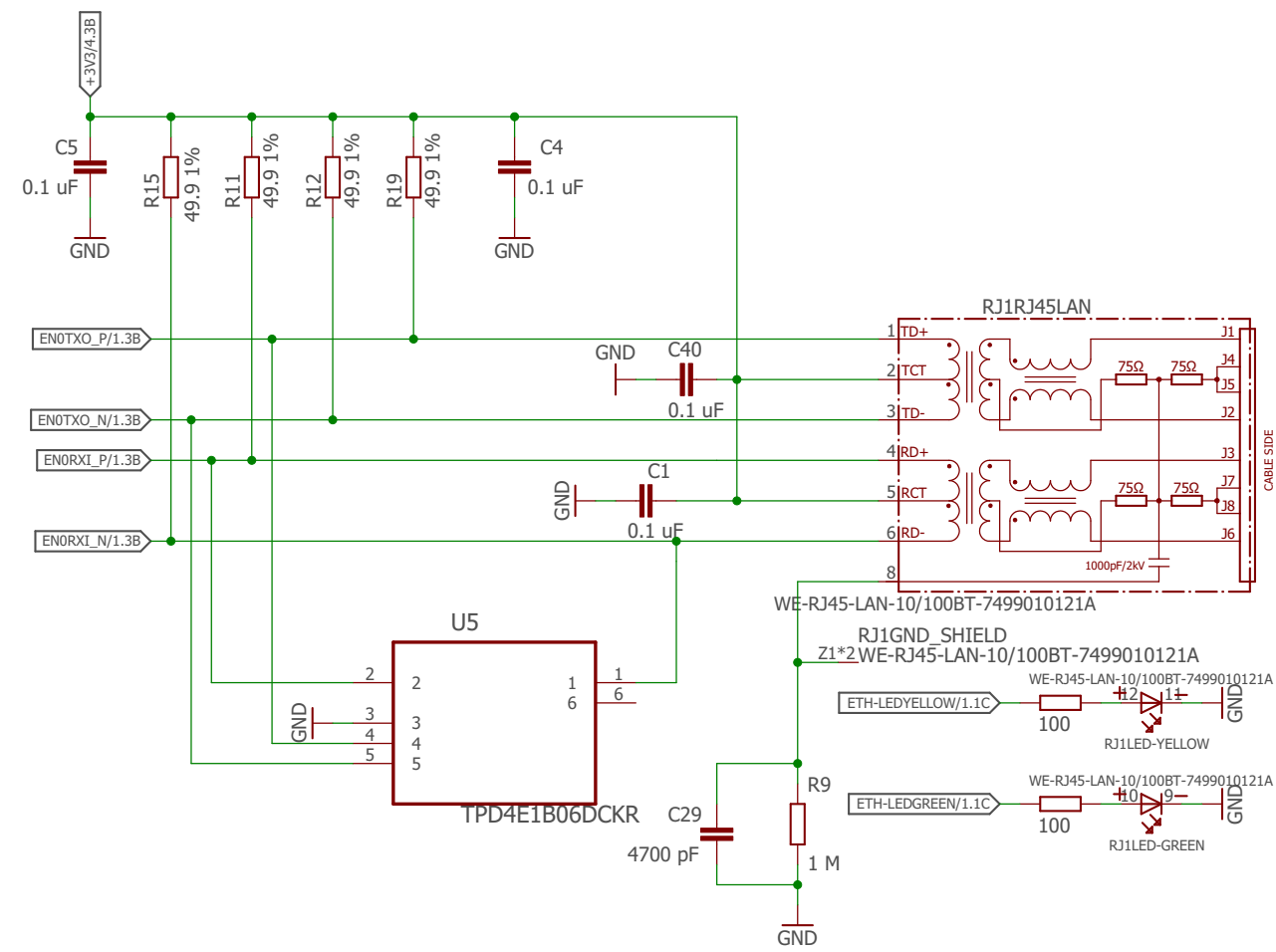
TITLE: FunkPi

Document Number:

REV:
1.1

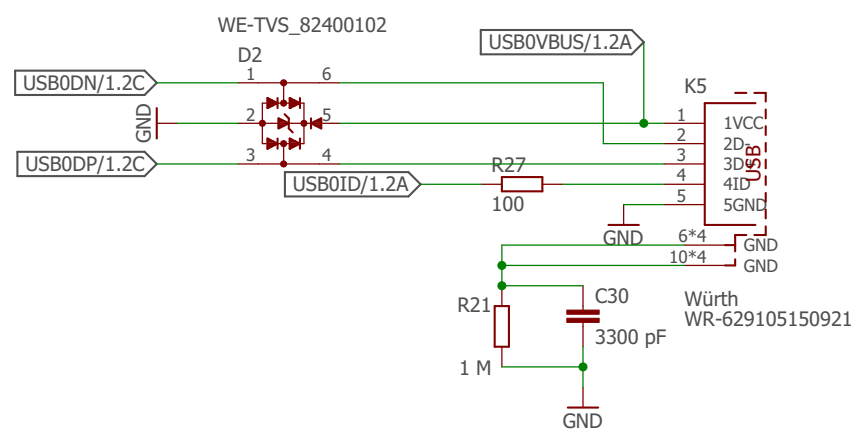
Date: 14.02.2017 16:39

Sheet: 4/6



7499010121A
Würth

<h1>Ethernet</h1>	
TITLE: FunkPi	
Document Number:	REV: 1.1
Date: 14.02.2017 16:39	Sheet: 5/6



USB

TITLE: FunkPi

Document Number:

REV:
1.1

Date: 14.02.2017 16:39

Sheet: 6/6